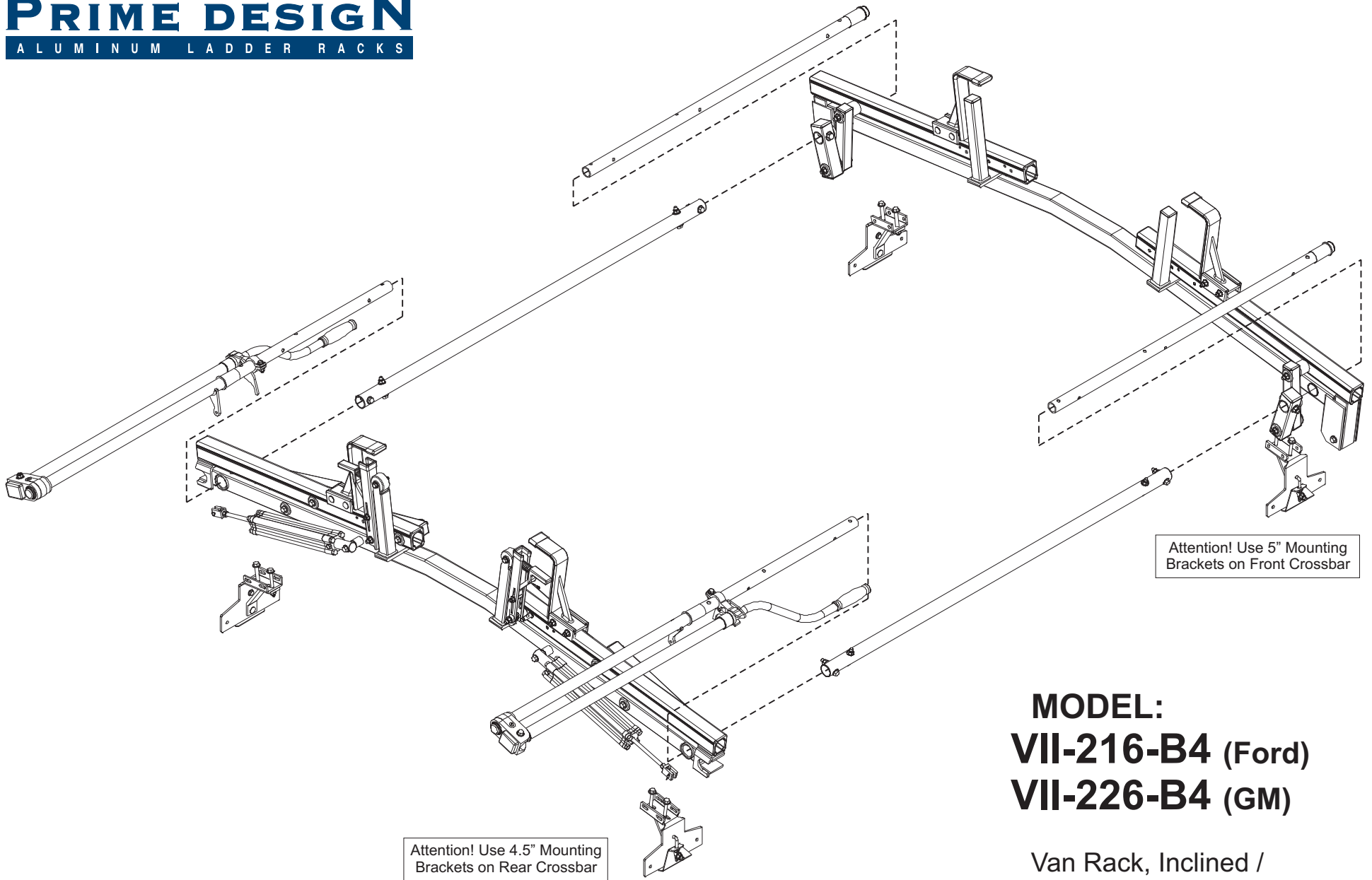


**MODEL:**  
**VII-216-B4 (Ford)**  
**VII-226-B4 (GM)**

Van Rack, Inclined /  
 Inclined, B4,  
 Two Crossbars



Attention! Use 5" Mounting Brackets on Front Crossbar

Attention! Use 4.5" Mounting Brackets on Rear Crossbar

**MODEL:**  
**VII-216-B4 (Ford)**  
**VII-226-B4 (GM)**

Van Rack, Inclined /  
Inclined, B4,  
Two Crossbars

# VII-226-B4

1. Follow the Inclined Assembly Instructions to assemble the rack as shown on the right.
2. Use the High (5") Mounting Bracket for the front right as shown in the opposite page.
3. Place Ladder Rack on the van. Mounting Brackets in the Drip Rails. Rear Crossbar Mounting Brackets need to be centered to the Drip Rail connecting plate (about 16" from rear Drip Rail to Crossbar, see drawing below).
4. Place 4" Vinyl Tubes onto the Drip Rail, as shown in the illustration below (shown with Z Plate removed for illustration only).
5. Snug 5/16" nuts on Mounting Bracket Assemblies.
6. Tighten 1/4" Bent Bolts to pull Mounting Bracket secured into the Drip Rail.
7. Tighten 5/16" nuts to hold Z Plate firm against the Drip Rail.

