



CE6K

ELECTRIC 6,000 FT-LB CRANE



The Venturo CE6K is available with your choice of boom sizes, mast heights, and winches to meet a variety of lifting needs.

LIFTING CAPACITIES	
REACH (FT)	CAPACITY (LBS)
3	2,000
5	1,200
7	850

See Back Page for Complete Capacity Chart

STANDARD EQUIPMENT

- ◆ Remote control pendant: 12 ft cord with quick disconnect
- ◆ Snatch block with swivel hook and safety latch
- ◆ Battery cable: 25 ft, 4 gauge
- ◆ Weight: 247 lb (3-5 ft boom); 265 lb (4-7 ft)

OTHER OPTIONS

- ◆ Short mast for utility body mounting
- ◆ 120 V AC winch (1,500 lb max capacity)
- ◆ Outriggers for all style bodies
- ◆ Master disconnect switch
- ◆ Circuit breaker

FEATURES

- ◆ 2,000 lb Maximum Lifting Capacity at 3 ft (1,500 lb with 120V AC winch)
- ◆ 6,000 ft-lb Moment Rating
- ◆ Electric Power (12 V DC or 120 V AC)
- ◆ 3-5 ft manual boom; optional 4-7 ft manual boom
- ◆ 3-position boom elevation (20°, 40°, 60°)
- ◆ Rotation band brake with unlimited 360° positioning
- ◆ Compact Footprint: 10" x 10" base plate with 7.5" x 7.5" bolt pattern

STANDARD WINCH FEATURES

- ◆ 35 ft of 3/16" aircraft-quality wire rope
 - ◆ 12 V DC permanent magnet, 1.3 hp motor
 - ◆ Planetary geartrain with 159:1 reduction
 - ◆ Wrap spring brake
- | Load (lb) | Line Speed (ft/min) | Amp Draw |
|-----------|---------------------|----------|
| 0 | 26 | 30 |
| 1000 | 15 | 80 |
| 2000 | 7 | 80 |

HEAVY DUTY WINCH FEATURES

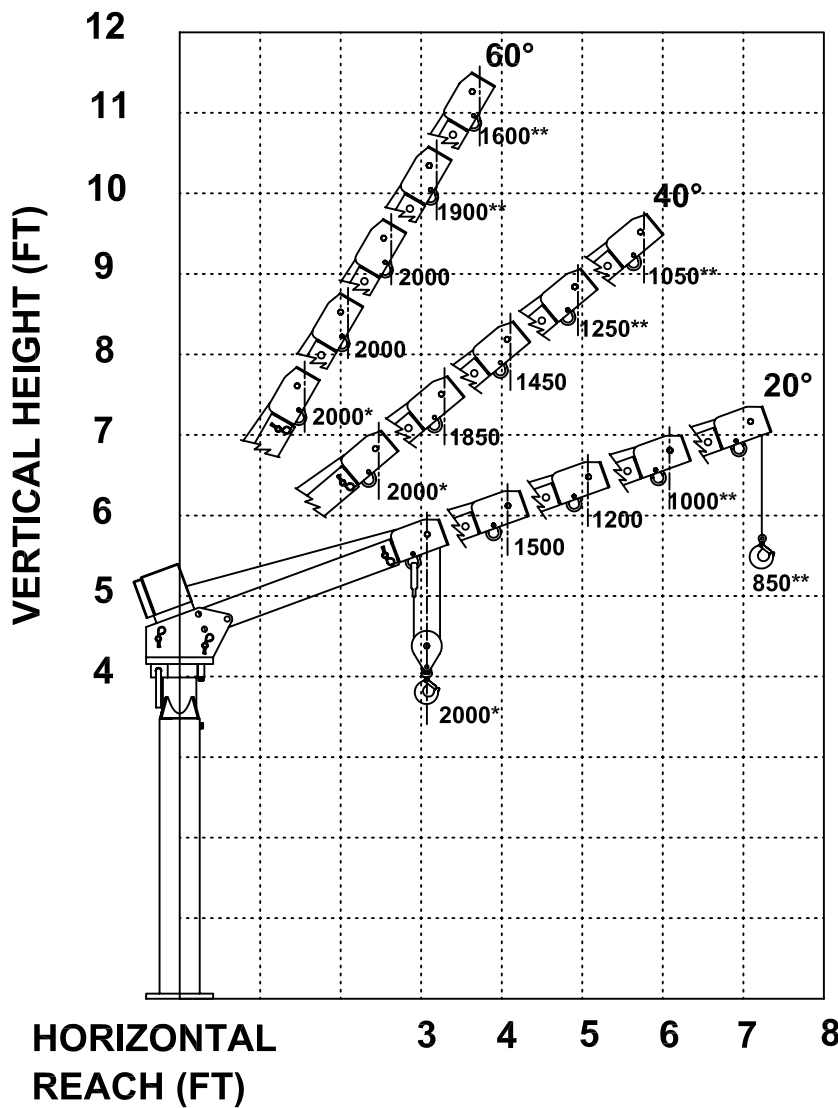
- ◆ 65 ft of 3/16" aircraft-quality wire rope
 - ◆ 12 V DC permanent magnet, 1.5 hp motor
 - ◆ 3-Stage planetary geartrain with 216:1 reduction
 - ◆ Dual load applied and dynamic braking system
 - ◆ 3.5" diameter drum meets ANSI B30.5 specifications
- | Load (lb) | Line Speed (ft/min) | Amp Draw |
|-----------|---------------------|----------|
| 0 | 26 | 30 |
| 1000 | 18 | 115 |
| 2000 | 9 | 115 |



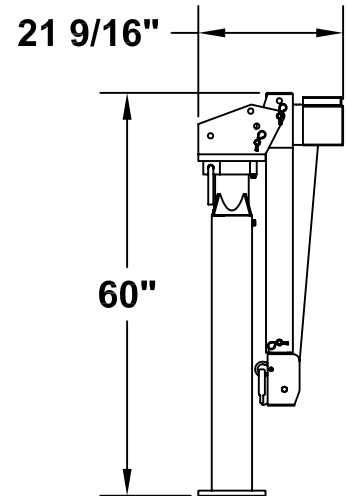
12110 BEST PLACE
CINCINNATI OH 45241
8 0 0 . 2 2 6 . 2 2 3 8
FAX 513.326.5427
www.venturo.com

Specifications subject to change without notice.

CE6K - 3-5 FT AND 4-7 FT BOOM MAXIMUM CAPACITY CHART



BOOM IN FOLDED POSITION



* 3-5 FT BOOM ONLY
** 4-7 FT BOOM ONLY

**MUST USE SNATCH BLOCK
FOR LOADS GREATER
THAN 1000 LBS.**

**MAXIMUM CAPACITY OF 120V
AC WINCH IS 1500 LBS.**

BASEPLATE DIMENSIONS

